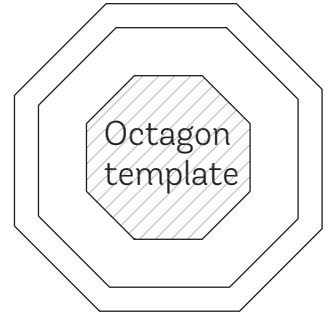
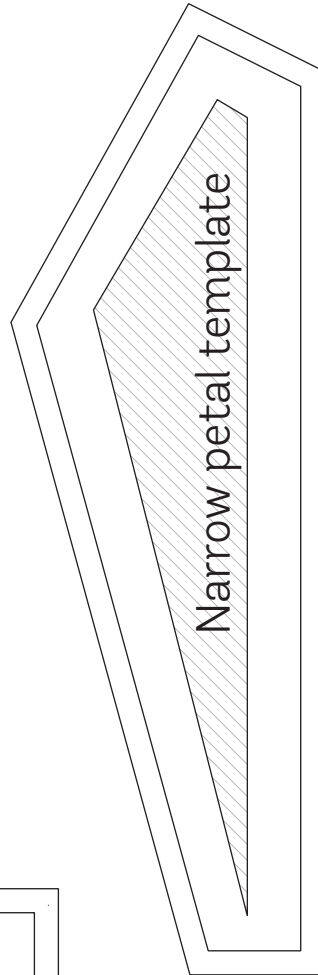
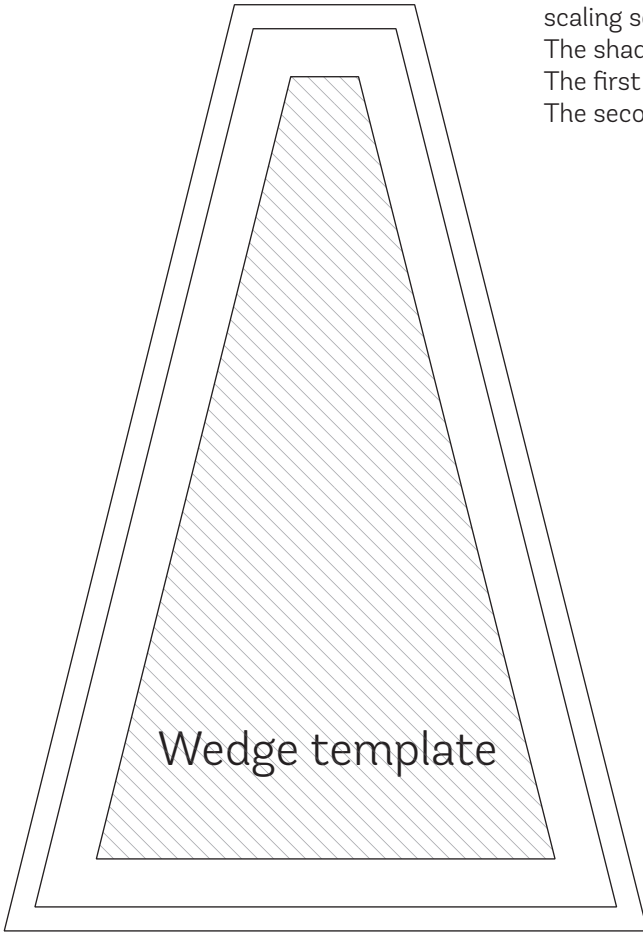
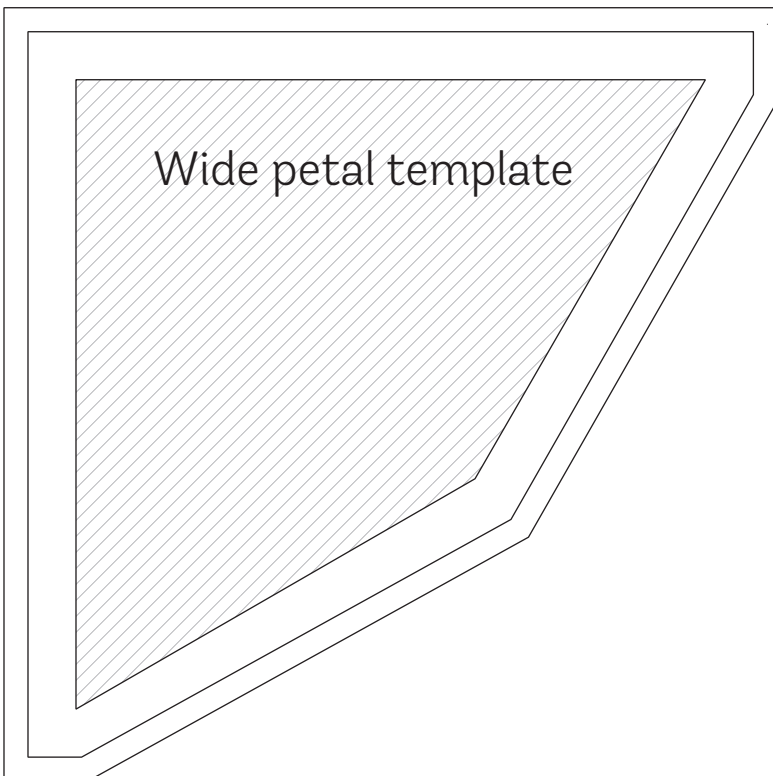


# Devonian gardens templates

Use these templates to pre-cut your fabric for basting. Download and print these shapes onto cardstock with scaling set to "none". Do not print from your web browser. The shaded inner shape is the final finished shape. The first outer line gives you a  $\frac{1}{4}$ " seam allowance. The second outer line gives you a  $\frac{3}{8}$ " seam allowance.



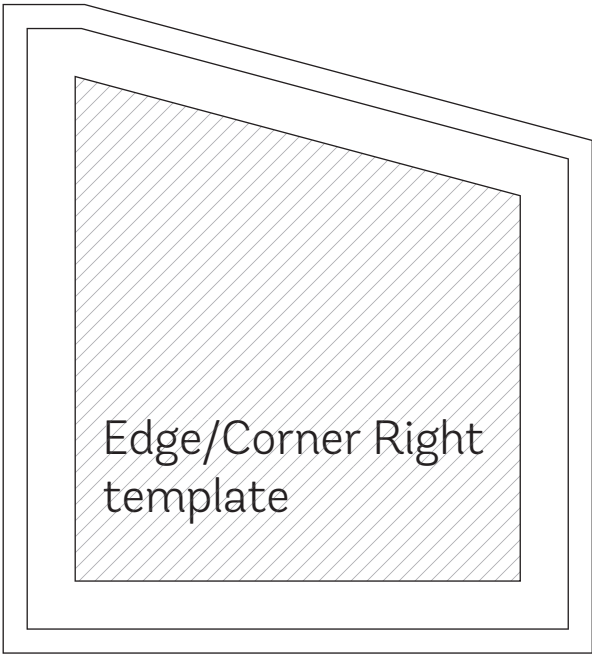
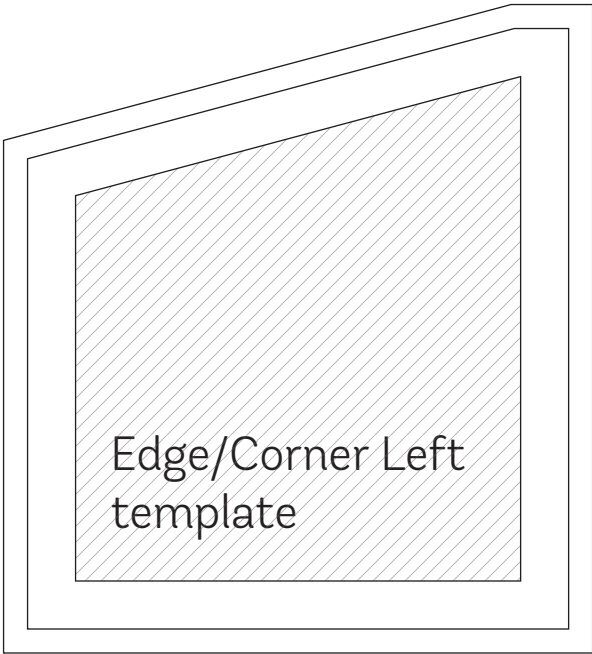
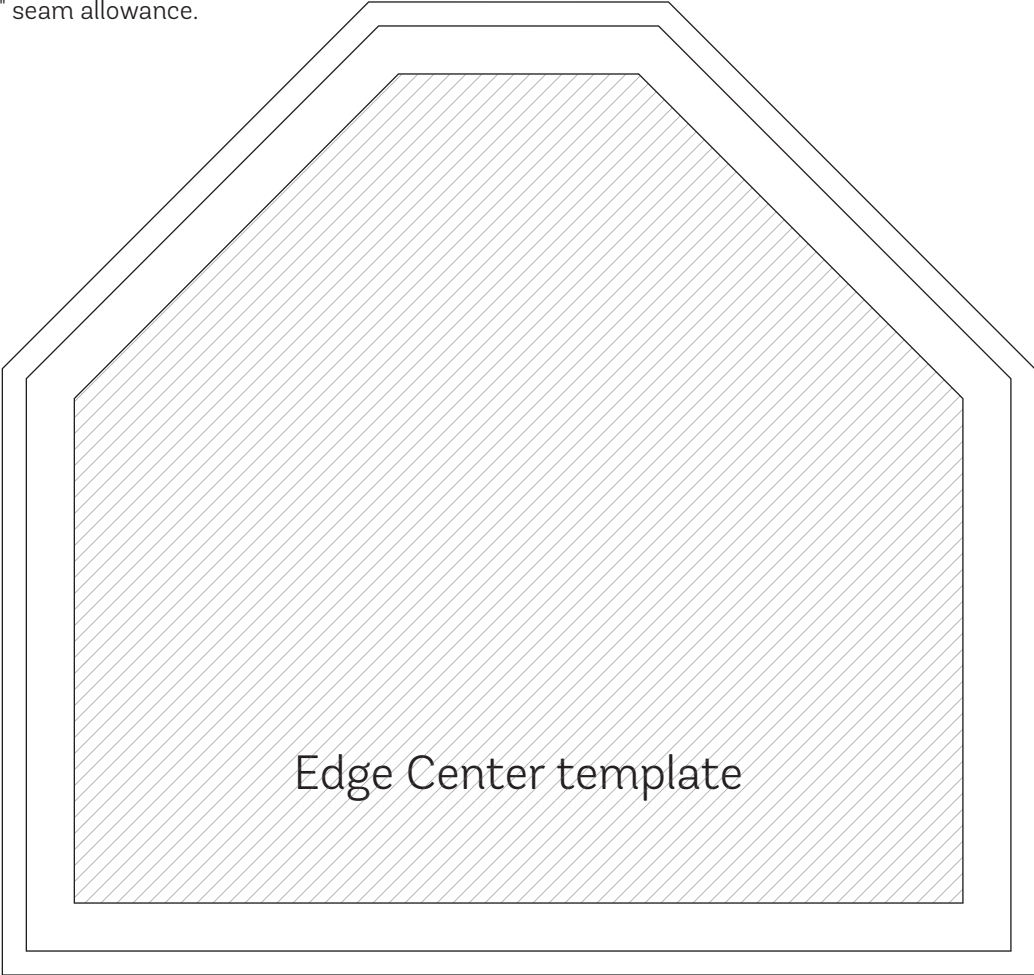
This square should measure 1 inch



# Devonian gardens templates

Use these templates to pre-cut your fabric for basting.  
Download and print these shapes onto cardstock with scaling set to "none". Do not print from your web browser.  
The shaded inner shape is the final finished shape.  
The first outer line gives you a  $\frac{1}{4}$ " seam allowance.  
The second outer line gives you a  $\frac{3}{8}$ " seam allowance.

This square  
should  
measure  
1 inch

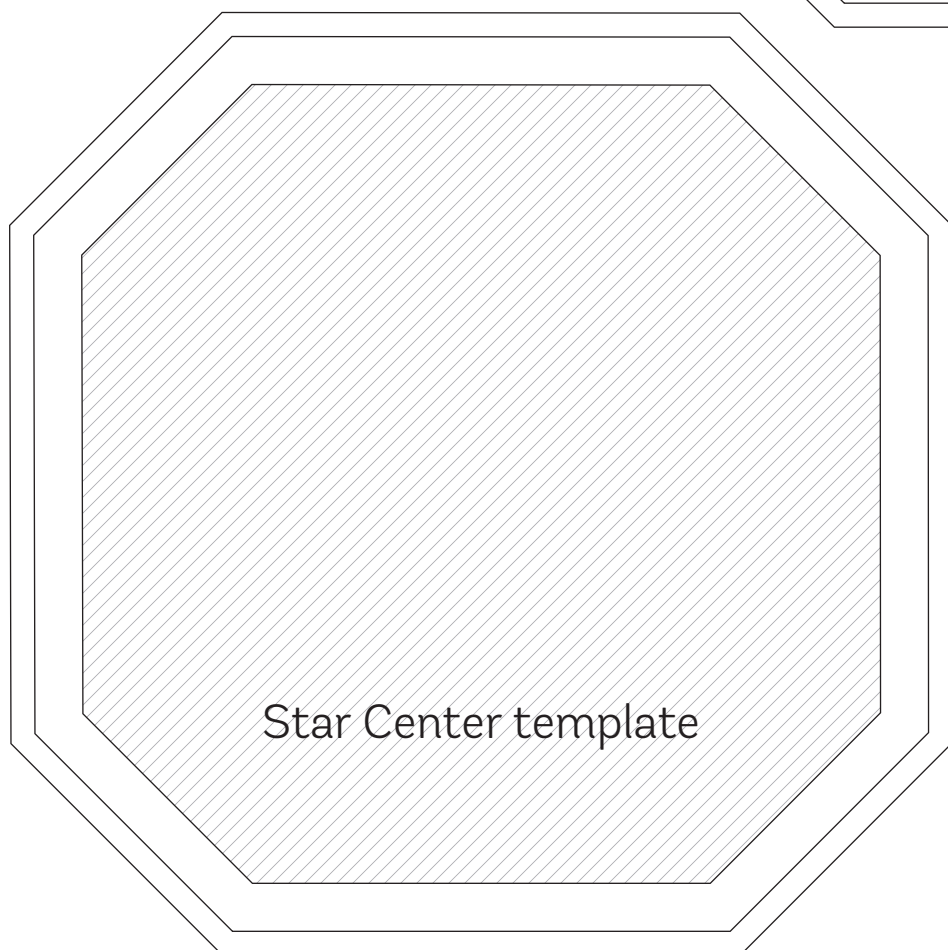
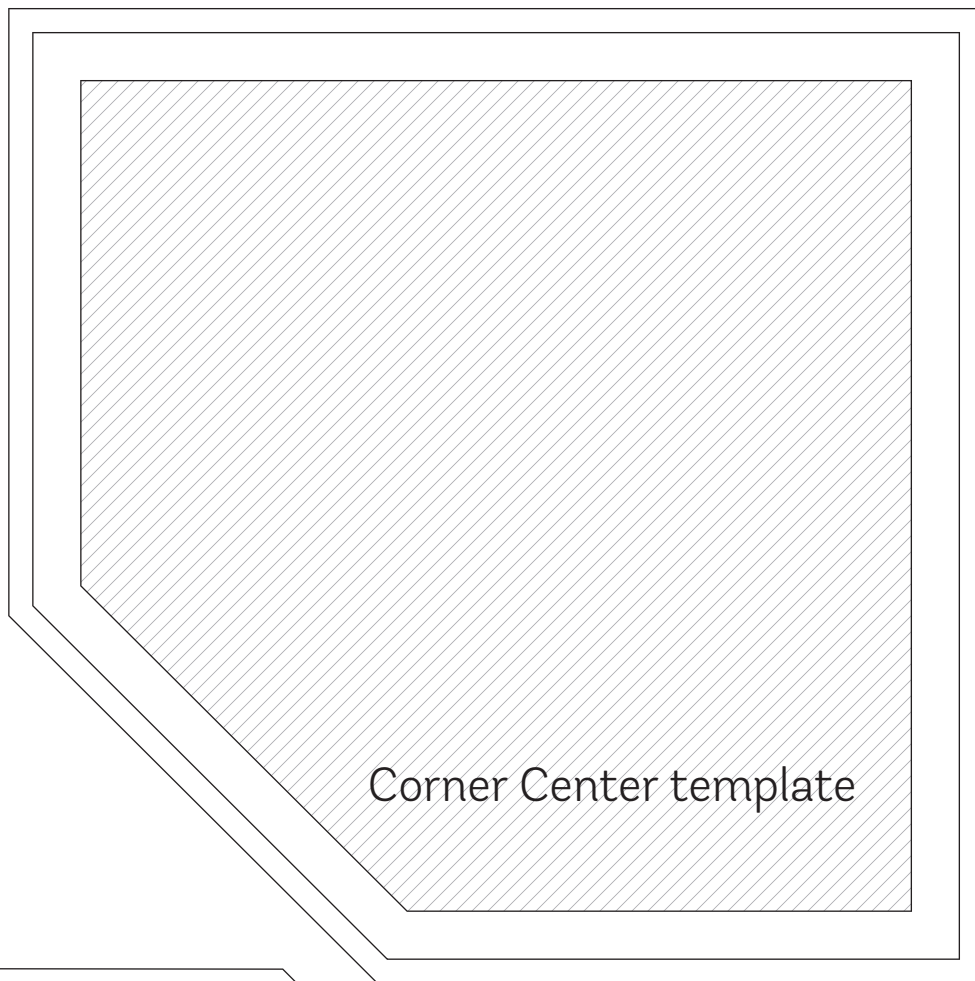


## Devonian gardens templates

Use these templates to pre-cut your fabric for basting. Download and print these shapes onto cardstock with scaling set to "none". Do not print from your web browser.

The shaded inner shape is the final finished shape. The first outer line gives you a  $\frac{1}{4}$ " seam allowance.

The second outer line gives you a  $\frac{3}{8}$ " seam allowance.



This square  
should  
measure  
1 inch

